

-NEW PRODUCT INFORMATION SHEET-

Specifications subject to change
© OMRON HEALTHCARE EUROPE B.V.

Digital personal scale HN-288

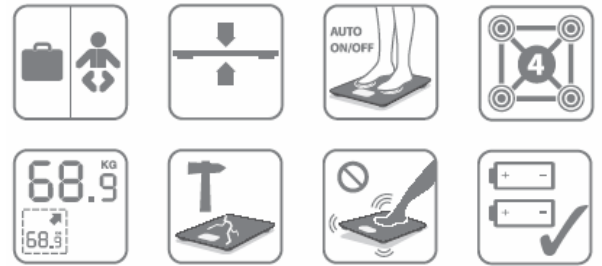


With this new digital personal scale HBF-288-E we do the next step in driving the personal scale field into the right direction. The scale comes with a new innovative feature called weight difference function. It helps people to measure the weight of their baby, luggage or for example their eBay parcel. It comes with maximum capacity of 180 kg (400 lbs, 28 stones) and an extra safe and flat design.

Even slight weight changes can be detected to a high accuracy with a due to exact graduation (4 sensors technology). The large numbers on the 77 x 45 mm LCD ensure the digits are easy to read. The scale is safe and stable through a large platform made by safety glass (size: 300 x 18 x 300 mm). Base feet are non-slip and made with non-scratch material to protect floors. The stainless steel painting finalizes the luxury look of this device.

Product Features:

- Weight difference function
- Flat design
- Automatic on/off technology
- 180 kg maximum capacity
- 4 sensors (100 g division)
- Extra large display (77 x 45 mm)
- Safety glass
- Base feet non-slip
- Battery included (Lithium CR 2032)



Product USP:

#	features	advantage	benefit
1	weight difference function	just step twice on the scale, with and without your baby, luggage or parcel and the weight of each will be shown separately in the display	checking the weight of your baby, your luggage or your eBay parcels
2	flat design	the newest technology of weighing cells make it possible to have a very flat product design (just 1.8 cm)	very safe to stay on this solid platform
3	180 kg maximum capacity and 100 g division	extra high maximum load with high accuracy	maximum load of 180 kg and a division of 100 g each
4	automatic on/off technology	body weight appears immediately upon stepping on the scale, when you step off it will automatically switch off	easy to use and environmental friendly battery usage
5	large display	large numbers will display the weight results (73 x 38 mm)	easy to read the results
7	Safety glass	no sharp edges if the glass will be broken	low risk of injury

Comparison with OMRON BCM:

Name	BF306	HN286	HN283	HN288	BF400	BF508	BF511T	BF511B	BF206IT-E
RRP	79.99 €	29.99 €	34.99 €	39.99 €	59.00 €	79.99 €	139.99 €	139.99 €	239.00 €
Model	HBF-306-E	HN-286-E	HN-283-E	HN-288-E	HBF-400-E	HBF-508-E	HBF-511-T-E	HBF-511-B-E	HBF-206IT-E
Picture									
Body Fat	■				■	■	■	■	■
BF Classification	■				■	■	■	■	■
BMI	■				■	■	■	■	■
BMI Classification	■				■	■	■	■	■
Skeletal Muscle							■	■	■
SM Classification							≥ 18 years	≥ 18 years	≥ 18 years
Visceral Fat						■	≥ 18 years	≥ 18 years	≥ 18 years
VF Classification						■	≥ 18 years	≥ 18 years	≥ 18 years
bluetooth									■
Resting Metabolism							■	■	■
Full body measurement						■	■	■	■
Clinical Validated						■	■	■	■
kids mode							■	■	■
body age									■
weight track				■					
Age range	18-80 years				18-80 years	18-80 years	6-80 years	6-80 years	6-80 years
Devision	100g	100g	100g	100g	100g	100g	100g	100g	100g
Max capacity	199.8 kg	180 kg	150 kg	180 kg	150kg	150 kg	150kg	150 kg	150 kg
Memory				Previous measurement	Previous measurement		Previous measurement	Previous measurement	30 last measurements
Kg/lb/st		■		■	■	■	■	■	■
User memory	9 + guest				4 + guest	4 + guest	4 + guest	4 + guest	4 + guest
material	stainless steel, plastic	glass, plastic	glass, plastic	glass, plastic	stainless steel, plastic	stainless steel, plastic	stainless steel, plastic	stainless steel, plastic	stainless steel, plastic
ON/OFF technics	switch on/auto off	Auto on/off	tap on/auto off	Auto on/off	switch on/auto off	switch on/auto off	switch on/auto off	switch on/auto off	switch on/auto off

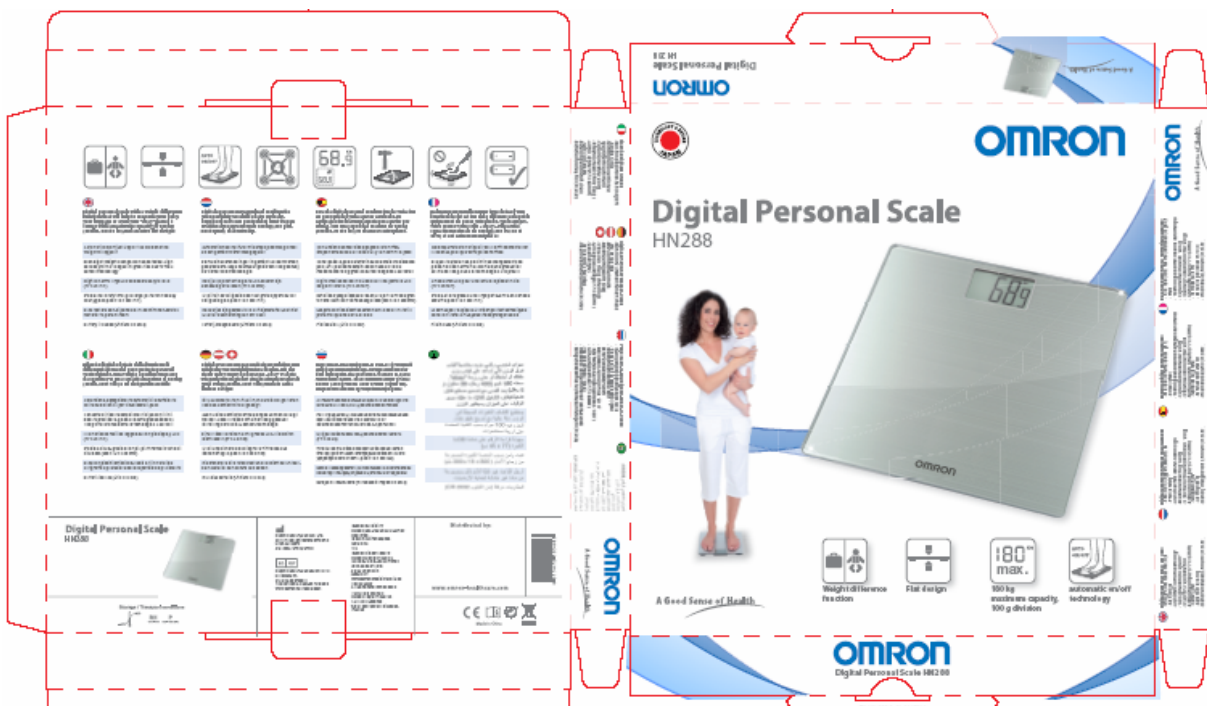
Target group of HN-288:

Care givers, new mothers who would like to check their baby's weight and development as well as pet owners or pet care facilities. Also an interesting target group are people who sell regular products on eBay.

Sales package (unfolded):

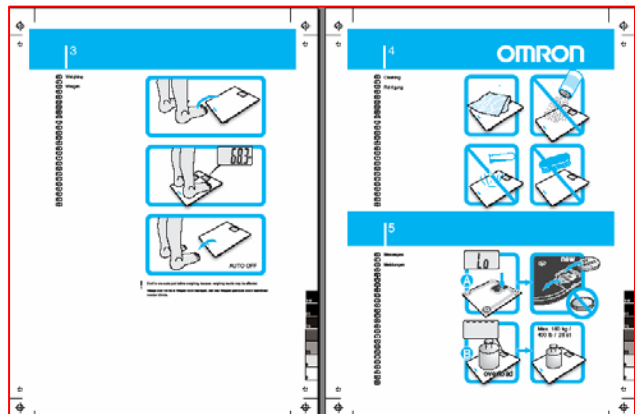


Packaging facing site:
Incl. top 3
features/benefits and
clear targeting



Instruction Manual

(Instruction manual includes 26 languages):



Product specifications:

Model Number	HN-288-E (HN288)
Display	0 ~ 180 kg 0.1 kg 0~400 lb: 0.2 lb 0~28 st 5 lb: 0.2 lb
Weight Accuracy	5.0 to 60.0 kg: ± 0.4 kg 60.1 to 100.0 kg: ± 0.6 kg 100.1 to 180.0 kg: ± 1%
Power Supply	One CR2032 battery (test battery is included)
Battery Life	Approximately 1 year (when battery are used with 4 measurements a day)
Operating Temperature / Humidity	+5°C to +35°C, 30% to 85% RH
Storage Temperature/ Humidity/Air Pressure	-20°C to +60°C, 10% to 95% RH, 700 hPa - 1060 hPa
External Dimensions	Approximately 300 (W) × 18(H) × 300 mm (D)
Weight	Approximately 1.5 kg (battery not included)
Package Content	Digital Personal scale, one CR 2032 battery, Instruction Manual
Warranty	Two Years
EAN code	40 15672 105683

OMRON HN-288-E packaging specifications:

Carton	QTY	Approx. Weight	Approx. Dimensions L*W*H
Unit	-	1,5 kg	300 x 300 x 18 mm
Inner	1	1,82 kg	333 x 28 x 333 mm
Master	5	9,9 kg	387 x 352 x 381 mm

Marco Buhr
Marketing Manager
Omron Healthcare Europe

Ph: +49 (0) 621 – 83 34 817
Mob: +49 (0) 172 – 88 85 628
E-mail: marco.buhr@eu.omron.com