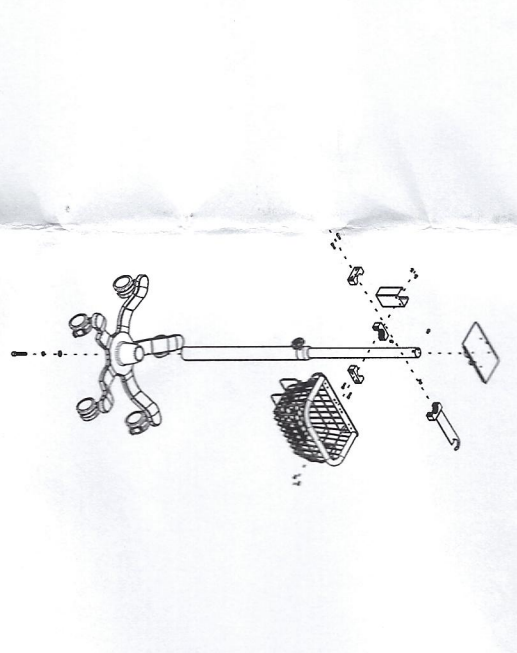
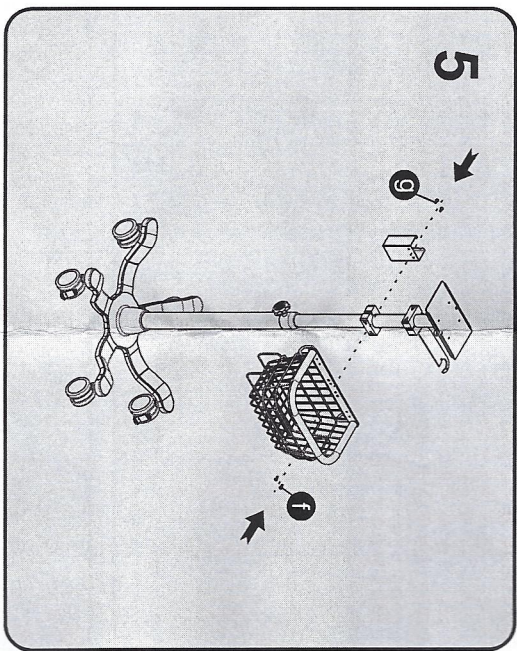
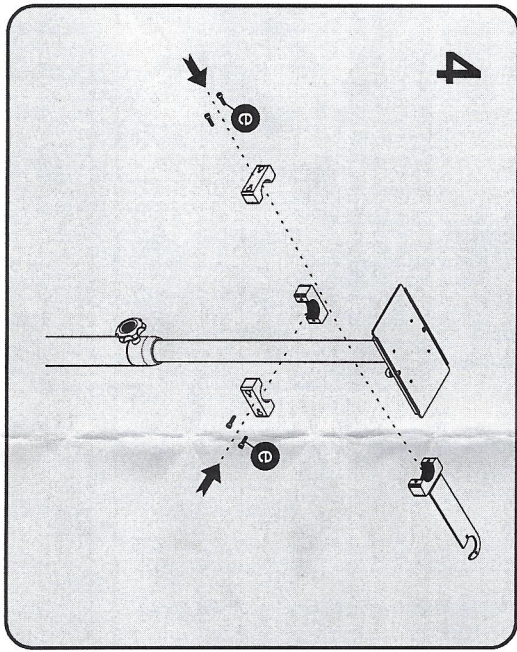
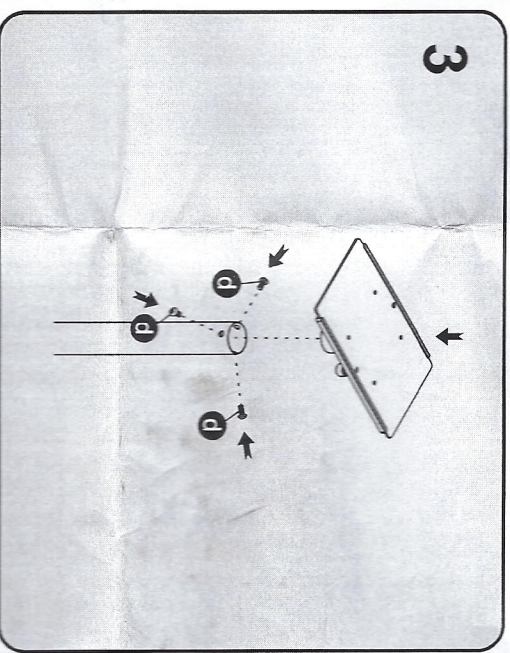
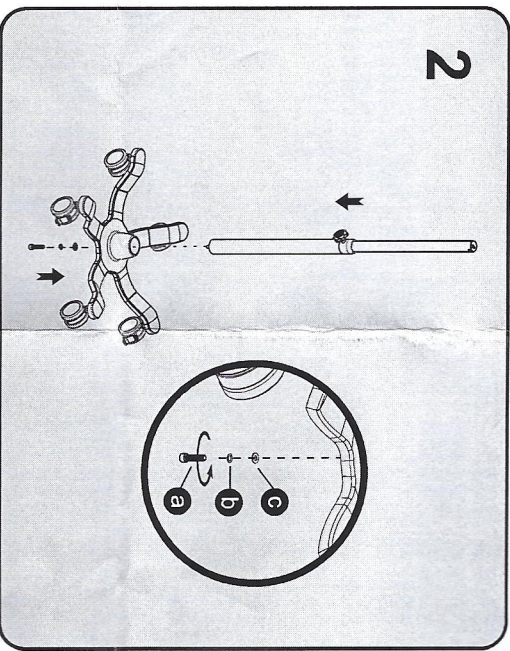
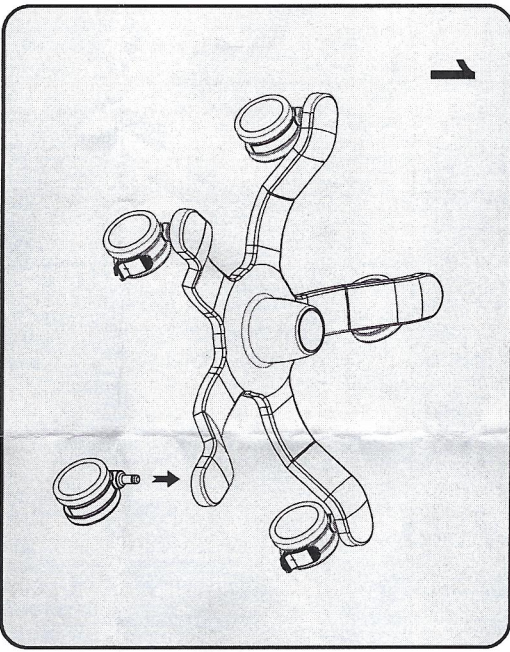


Assembly Instruction

a	b	c	d	e	f	g
M10 x 50	M10	M10	M6 x 12	M5 x 20	M5 x 12	M5 x 12
x1	x1	x1	x3	x4	x2	x2



Better Medical

IMS-003TBV75